

Collection: STILLNESS

Finish*:



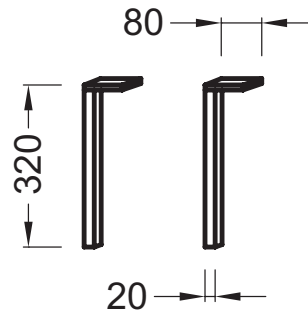
NF - Neutral

Features

• Dimensions: 32

• Weight: 1.2 kg

Technical drawing



Product Specification: Pair of feet. EB918. Collection: STILLNESS. Dimensions: 32. Weight: 1.2 kg.