



Collection: MODULO

Finish*:

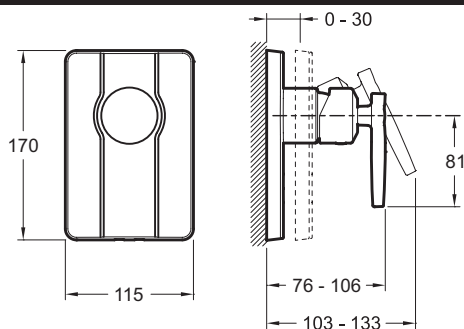


CP - Polished Chrome

Features

- Flow rate: 40 l/min
- Incl. non-return valve
- DVGW NW-6512CP0427
- Incl. single-lever built-in mixer
- Ceramic disk cartridge

Technical drawing



Product Specification: Trim and lever for built-in shower mixer. E98713. Collection: MODULO. Flow rate: 40 l/min. Incl. single-lever built-in mixer. Incl. non-return valve. Ceramic disk cartridge. DVGW NW-6512CP0427.