



Collection: MODULO

Finish*:

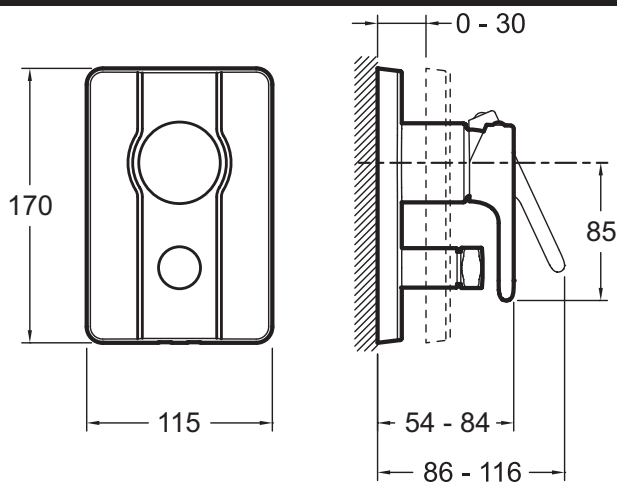


CP - Polished
Chrome

Features

- Installation: Built-in
- Incl. single-lever built-in mixer
- Automatic diverter with locking option
- DVGW NW-6512CP0428
- Flow rate: 30 l/min / 25 l/min
- Incl. non-return valve
- Ceramic disk cartridge

Technical drawing



Product Specification: Trim and lever for built-in bath-shower mixer. 98720D. Collection: MODULO. Installation: Built-in. Flow rate: 30 l/min / 25 l/min. Incl. single-lever built-in mixer. Incl. non-return valve. Automatic diverter with locking option. Ceramic disk cartridge. DVGW NW-6512CP0428.