



Collection: MODULO

Finish*:

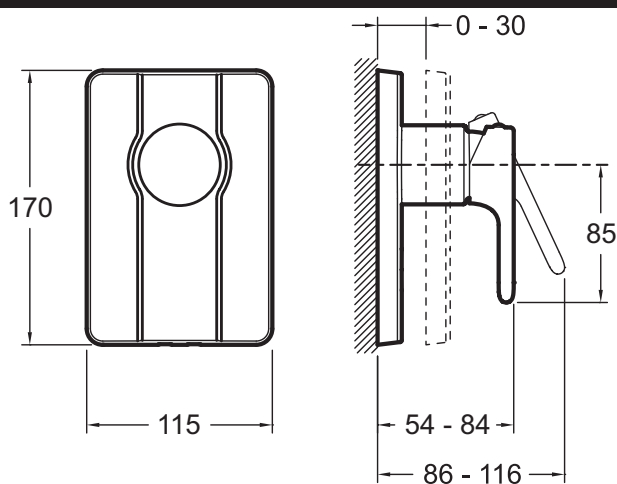


CP - Polished Chrome

Features

- Weight: 1.9 kg
- Normes: ACS (Certificate of Sanitary Compliance): 10 ACC LY 004
- Incl. single-lever built-in mixer
- Ceramic disk cartridge
- Installation: Built-in
- Flow rate: 40 l/min
- Incl. non-return valve
- DVGW NW-6512CP0427

Technical drawing



Product Specification: Trim and lever for built-in shower mixer. 98708D. Collection: MODULO. Weight: 1.9 kg. Installation: Built-in. Normes: ACS (Certificate of Sanitary Compliance): 10 ACC LY 004. Flow rate: 40 l/min. Incl. single-lever built-in mixer. Incl. non-return valve. Ceramic disk cartridge. DVGW NW-6512CP0427.