



Collection: RÊVE

Finish*:



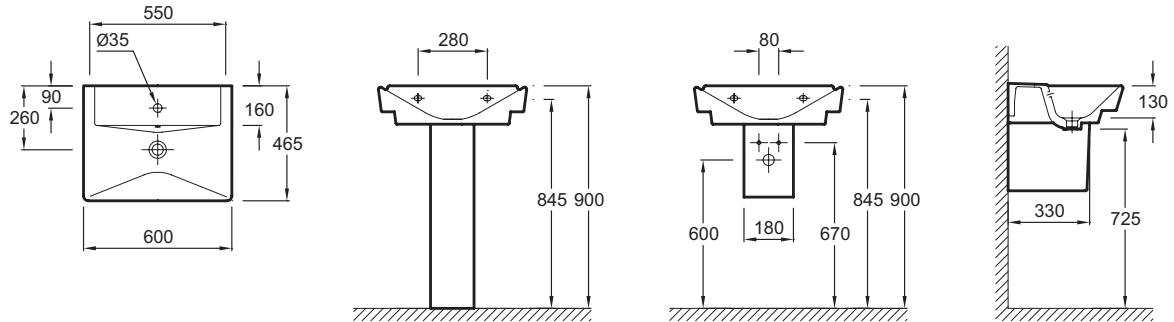
00 - White

Features

• Weight: 7.6 kg

• Installation: Wall-mount

Technical drawing



Product Specification: 0. 5031W. Collection: RÊVE. Weight: 7.6 kg. Installation: Wall-mount.