



**Collection:** STILLNESS

**Finish\*:**



00 - White

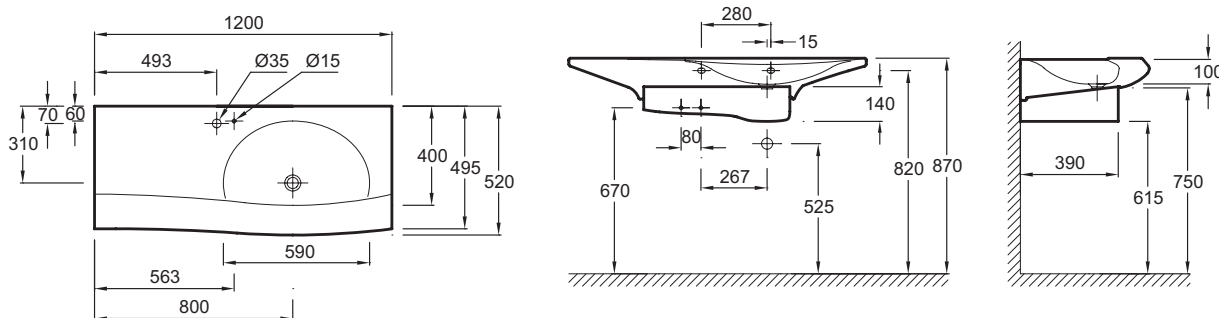
## Features

- **Dimensions:** 120 x 52
- **Material:** Ceramic
- **Faucet drilling:** 1 faucet hole Ø35 mm and 1 hole Ø15 mm for waste lift rod
- **Concealed overflow.** for better hygiene, easier upkeep and fluid design
- **Weight:** 35.5 kg
- **Installation:** Self-supporting with metal shroud or with cabinet
- **Unique design** with fluid, dynamic lines
- **Chrome waste lift rod, waste, concealed overflow and space-saving connection tube included.** for optimal placement of all outlet functions in a minimum of space under the countertop.
- **Concealed overflow.** 1 tap hole 2534W-00

## Optional products

- E6D005: Wooden step for bath, 180 cm

## Technical drawing



Product Specification: 1-hole vanity top 120 cm, 2534W. Collection: STILLNESS. Dimensions: 120 x 52. Weight: 35.5 kg. Material: Ceramic. Installation: Self-supporting with metal shroud or with cabinet. Faucet drilling: 1 faucet hole Ø35 mm and 1 hole Ø15 mm for waste lift rod. Unique design with fluid, dynamic lines. Concealed overflow, for better hygiene, easier upkeep and fluid design. Chrome waste lift rod, waste, concealed overflow and space-saving connection tube included, for optimal placement of all outlet functions in a minimum of space under the countertop. Concealed overflow, 1 tap hole 2534W-00.