



Collection: PRESQU'ÎLE

Finish\*:

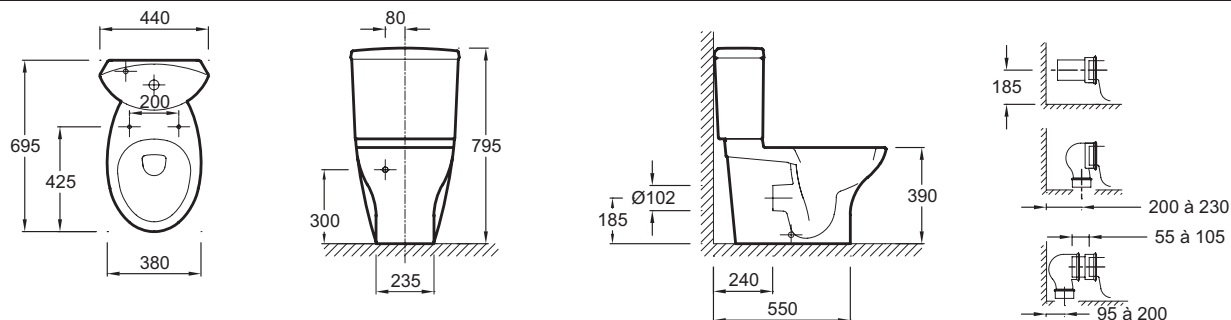


00 - White

## Features

- Weight: 15.8 kg

## Technical drawing



Product Specification: Cistern. 19078. Collection: PRESQU'ÎLE. Weight: 15.8 kg.